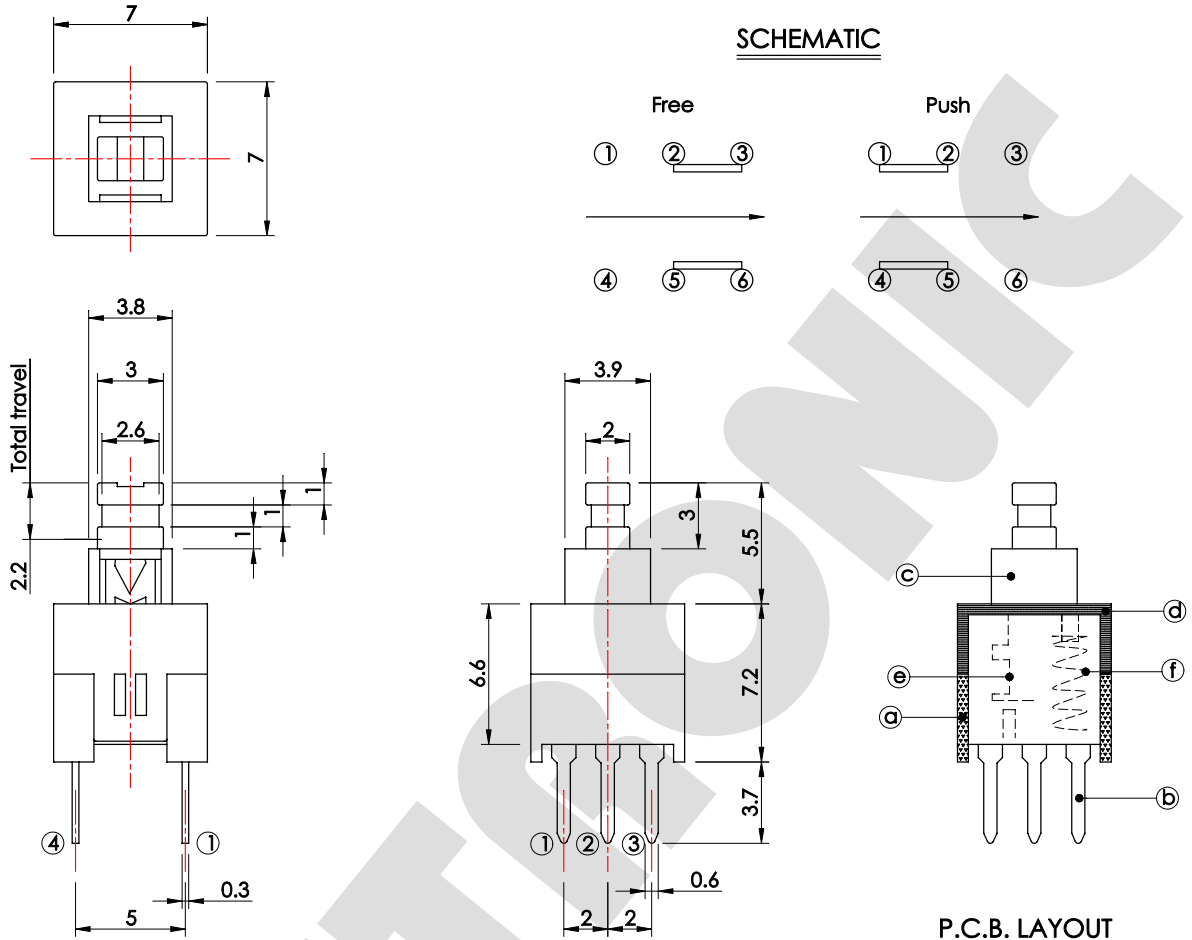


本圖面若與目錄之規格尺寸不符，以本圖面規格尺寸為主。
Below is our main specification if different from catalog.

RoHS compliant



SPECIFICATION

- Rating:** 0.1A 30V DC.
- Contact resistance:** 35mΩ Max.(initial)
- Insulation resistance:** 100MΩ Min. at 250V DC.
- Withstand voltage:** 250V AC for 1 minute.
- Operating temperature:** -25°C ~ +65°C.
- Operating force:** 180±20g.
- Minimum load:** 30mA 10V DC.(reference only)
- Life:** 15,000 Cycles Max.
- Soldering temperature:** 250°C Max. for 3 sec.
- Soldering time:** 1 time only.
- Note:** Unwashable, don't be immerged by epoxy and organic solvent.

MATERIAL

- Base:** PA66, black. (a)
- Terminal:** Brass, Ag plated. (b)
- Stem:** POM, black. (c)
- Case:** POM, white. (d)
- Clip:** Silver-Copper composite, natural. (e)
- Spring:** Carbon steel wire, natural. (f)

MPS-700X-G

TYPE	RoHS compliant
<input type="checkbox"/> Lock	
<input checked="" type="checkbox"/> N Non-Lock	



HV2.3	⚠		
HV2.1	無	改版	2013.02.06
HV2.0	無	新繪製	2010.10.11
版本 VER.	符號 SYMBOL	修改內容 ALTERATION	更新日期 DATE

產品 PRODUCT	Pushbutton Switch	型號 MODEL NO.	MPS-700N-G
比例 SCALE	3 : 1	單位 UNIT	mm
公差 TOLERANCE	.X=±0.3mm, .XX=±0.2mm		
製圖 DRAWN BY	核圖 CHECKED BY	主管 APPROVED BY	
Jay Kang	Alex Lin	Margaret Lee	

一綺電子企業股份有限公司

總公司：110 台北市信義路四段415號13樓之3
13F-3 NO. 415, SEC. 4, HSIN YI ROAD, TAIPEI, TAIWAN
TEL : 886-2-27290229 (Rep.) FAX : 886-2-27582086
URL : http://www.switronic.com.tw
E-MAIL : switches@ms36.hinet.net